

SURFACE MOUNTED ACRYLIC FEET / BASE / BRACKET

These are small, supportive structures attached to the bottom of an acrylic backboard, allowing the neon sign to stand upright on flat surfaces. The supports are typically clear or colored to match the sign's aesthetic.

FEATURES



Stability

Provides a stable base, making it perfect for display on tables, countertops, bars, DJ booths, and more.



Aesthetic Appeal

Designed to be unobtrusive, blending seamlessly with the sign. Typically clear or colored to match the sign.



Easy Installation

Attach the feet to the backboard for quick setup.



Portability

Easily repositioned without tools.

INSTALL NOTES

Limited Height

Restricted to the width of the acrylic base.

Surface Dependency

Requires a flat, stable surface to prevent tipping.

Custom Sizes

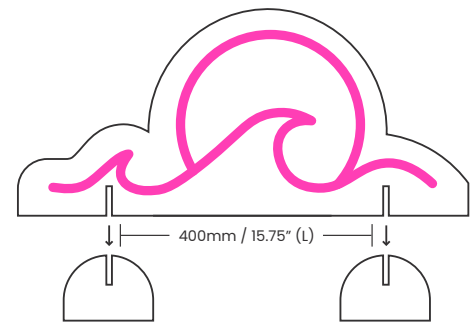
We offer custom-sized supports to accommodate larger signs, ensuring stability and proper display regardless of the sign's dimensions.

1 Surface Mounted Acrylic Feet *Lightweight & Small*

A compact and portable solution for displaying neon signs on tables, countertops, or shelves. These lightweight feet provide stable support while maintaining a minimal footprint, making them perfect for smaller signs. The unobtrusive design ensures the focus remains on the sign, with easy setup and repositioning.

Maximum Height (H) 300mm / 11.81"

Maximum Length (L) There's no limit to the total length of the sign. Each acrylic base insert is spaced up to 400mm / 15.75" (L) apart for stability and support.

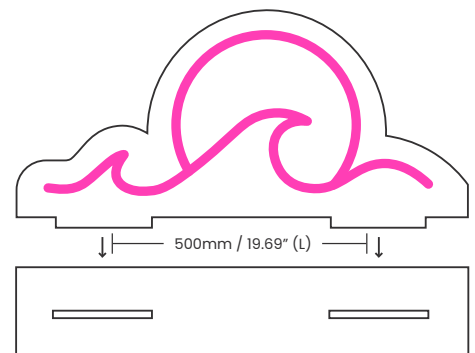


2 Surface Mounted Acrylic Base *Sleek & Timeless*

This sleek and timeless base offers a refined way to display your neon sign. Ideal for creating a sophisticated look, the acrylic base provides stable and elegant support. Its design blends seamlessly with the sign, making it a versatile choice for various display environments, from modern to classic.

Maximum Height (H) Available from 300mm / 11.81" (H) to 1000mm / 39.37" (H); includes additional metal brackets for signs over 300mm (H).

Maximum Length (L) 183mm / 7.20"



3 Surface Mounted Acrylic Bracket *Secure & Robust*

For a more secure and robust mounting option, these acrylic brackets offer enhanced stability and durability. Perfect for larger or heavier signs, the brackets ensure that your sign remains securely in place, even in high-traffic areas. The design is both functional and aesthetically pleasing, providing reliable support without compromising on style.

Maximum Height (H) 300mm / 11.81"

Maximum Length (L) There's no limit to the total length of the sign. If the length exceeds 500mm / 16.69", additional brackets are added between the end brackets for enhanced stability & support.

